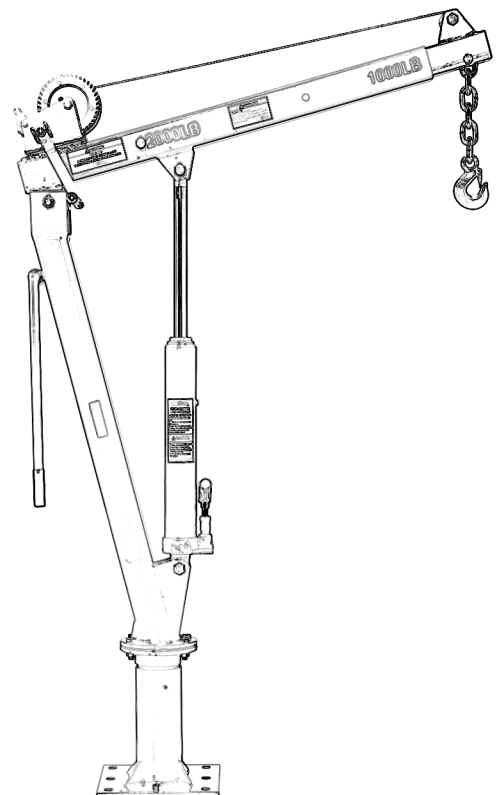




PWPHW Series

User's Manual / Manual de usuario
Safety Warnings / Advertencias de seguridad



This page intentionally left blank

PROPERTY REGISTRY N° 189487
ANY REPRODUCTION IS FORBIDDEN
PROPERTY OF PROWINCH® 2018 - V8.1 ALL RIGHTS RESERVED
PROWINCH LLC COMPANY WITH QUALITY MANAGEMENT SYSTEM

PROWINCH® DISCLAIMER

Prowinch® LLC declares that it has made all safety recommendations related to the purchased product to the customer. As a result, it does not assume any responsibility for any damages or losses that the client or third parties may suffer. These can be caused by or as a direct or indirect result of a breach or omission of instructions or safety warnings in the User Manual and Security Warnings provided with the unit purchased. Prowinch® LLC will not be liable for accidents and/or damages to persons and/or property resulting from the negligent use of the product. In no case does Prowinch® LLC assume any liability arising from using these voluntary recommendations and does not offer any guarantee concerning them. These recommendations do not take precedence over the current safety regulations of the plant. For purposes of enforcing the warranty of the product purchased, Prowinch® LLC, will only be liable for any damage when proven the user has followed each one of the warnings contained in the User Manual and Safety.

1. It is the sole responsibility of the Client / User to verify that the acquired equipment, products, and accessories comply with the characteristics, capacities, requirements, components, accessories, and other conditions for the use that the Client/user intends to give it.
2. It is also the sole responsibility of the Client / User to ensure that the equipment and products purchased are operated and maintained with adequate safety standards and by personnel properly trained in their use. The Client / User is also responsible for implementing all security measures necessary to prevent accidents or damages to people or property and for following the indications and warnings of the corresponding manual.
3. Any assistance provided by Prowinch® LLC in selecting the equipment, capacities, and characteristics required by the client is delivered free of charge and based on the information about the application, use, and requirements provided by the client. It is not the responsibility of Prowinch® LLC to verify the accuracy of the given information. It is the sole and exclusive responsibility of the client -or who will use the equipment and products acquired- to ensure that the specifications comply with the capabilities, characteristics, up-to-date maintenance, and everything necessary for a correct and safe operation about the intended use.
4. Prowinch® LLC recommends using winches with four brakes for personnel lifting. The use of winches with three brakes or less, or operating with safety standards less than required for personnel lifting is not recommended.
5. To guarantee the safety of the equipment's operators, it is necessary to conduct inspections and maintenance of the equipment according to the recommended frequency of its work cycle. It is mandatory to keep records and evidence, including written and photographic reports of: Maintenance, Start-up, Load Tests, Training, Certifications, Inspections, and Reports of failures and accidents.
6. The reports mentioned above must be emailed to registros@prowinch.com within the first seven calendar days after an event.
7. Compliance with timely implementation of mandatory activities described in points 6 and 7, in addition to all the activities mentioned in the corresponding guidelines, are the user's sole responsibility. Failure to comply with the preceding conditions releases Prowinch® LLC from any liability. The information contained in this manual may contain technical errors or inaccuracies. Prowinch® LLC is not responsible for errors, omissions, or incorrect information. This manual is subject to change without prior notice. Download the latest version available at www.prowinch.com. Always check www.prowinch.com for the latest information regarding this product. Please check our warranty policies on our website www.prowinch.com/warranty

Thank you for purchasing our Prowinch® Hydraulic crane. This User Manual provides important information for personnel involved with the installation, operation, and maintenance of this product. Read this User Manual before installing, operating, or maintaining the product.

1. SAFETY PRECAUTIONS

Prowinch® hydraulic cranes are designed for safe and reliable service if operated according to this User Manual.

Respect all warnings for personal and third-party safety. The inadequate operation of this equipment may cause injuries or damage to the equipment.

Read and understand this User Manual carefully before installation and commission of equipment. Always keep this User Manual in an accessible location.

Cranes misused may harm users and result in wounds, injuries, or death. This User Manual highlights symbols and notes for caution, warning, and danger. Attention to these areas ensures the safety of the operator.

The compact and lightweight structure of the PWPHW models together with their ease of use makes them a preferred crane for daily use in factories, mines, sea ports and warehouses.

Mandatory use of:



Hard Hat



Safety Glasses



Safety Gloves



Safety Shoes

1.1. Hoist Safety Precautions

**WARNING:**

This symbol indicates unsafe practices or situations which may cause damage to the property and even injuries to the personnel.

**DANGER:**

This symbol indicates a potentially dangerous situation which if not avoided may cause severe injuries or death

**DANGER**

All operators and other users who are near the steel chain or its load must wear required safety equipment: gloves, safety helmet / hard hat, safety shoes and eye protection.

1.2. Before using the Equipment:

- Read and understand the instructions in this user manual and all the labels associated with the crane before operating the equipment.
- Wear appropriate clothing: Do not wear jewelry or loose clothes as they can get caught in moving parts.
- Wear sturdy leather gloves.
- Wear non-slip safety shoes, a hard hat, and eye protection.
- Perform a full check of the crane. Check for damaged parts or unusual conditions.
- Secure the hydraulic crane to a suitable surface that is capable of withstanding the load being lifted with the crane.
- Visually inspect the hydraulic crane and winch before each use in addition to the regular inspections and maintenance.

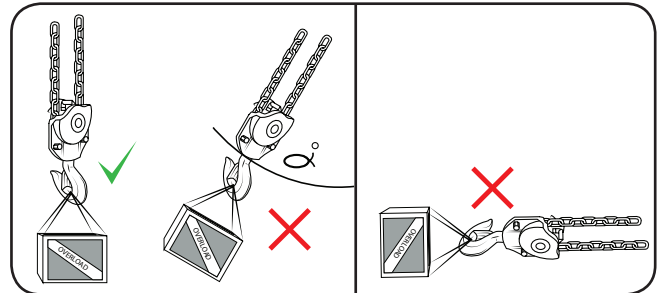
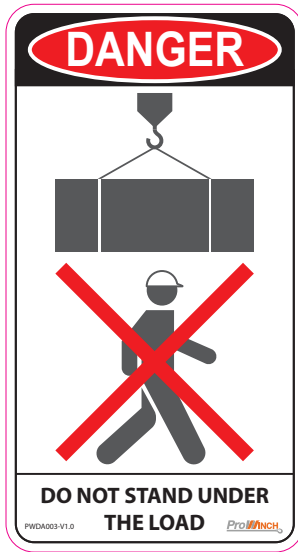
1.3. During Operation:

ALWAYS:

- Refer to maximum load capacity displayed on ID plate of crane, not capacity of hook.
- Stop operation immediately if unauthorized personnel enter working area.
- Check state of crane: If engine overheats, stop crane and let it cool for a while.
- Stop, check, and secure load if crane stops or loses movement during operation.
- Focus on operation. Always pay attention and keep proper balance.
- Unplug crane after operation.

NEVER:

- **Never** exceed maximum load capacity.
- **Never** operate damaged or malfunctioning crane.
- **Never** operate crane if behaving unusually.
- **Never** lift, support, transport people, or lift or support loads over people.
- **Never** walk over chain.
- **Never** operate crane with twisted, kinked, damaged or worn load chain.
- **Never** use load chain as a sling around load.
- **Never** operate a crane if ID plate or safety labels are missing or illegible.
- **Never** operate crane when exposed to rain or water.
- **Never** use if operator is unwell or not completely attentive.
- **Never** leave the crane unattended while energized or loaded.
- **Never** operate the crane with a non-centered load.
- **Never** operate beyond the limits of the load chain or extend the chain.
- **Never** use the load chain or hook as an electrical or welding ground.
- **Never** remove the labels placed on the crane.
- **Never** use the crane to lift the load at an angle, nor pull or drag the load.



1.4. Inspection, Maintenance and Repairs:

- Only trained and authorized personnel may perform repairs on the equipment.
- Use only original ProWinch® parts. The use of any other part immediately voids the warranty.
- Failure to use only original ProWinch® parts may create dangerous conditions for the operator.

ALWAYS:

- Prevent others from stepping under lifted load.
- Inspect and maintain the crane regularly.
- Verify the correct installation of crane before using.
- Avoid contact with explosive gases or materials.

NEVER:

- **Never** Overload equipment
- **Never** Transport people or animals.
- **Never** Stand below load.
- **Never** Use crane if exposed to rain, snow, or electrical storm.
- **Never** Leave load suspended for extended period. This may cause component deformation an accident.
- **NEVER** Leave loads suspended for an extended time. This may cause damage to components or accidents.
- **Never** Exceed the allowable operating temperatures stated in this User Manual (depending on the model).
- **Never** Expose equipment to water, sand, corrosive materials, or other substances which may damage the equipment.

3. INSTALLATION

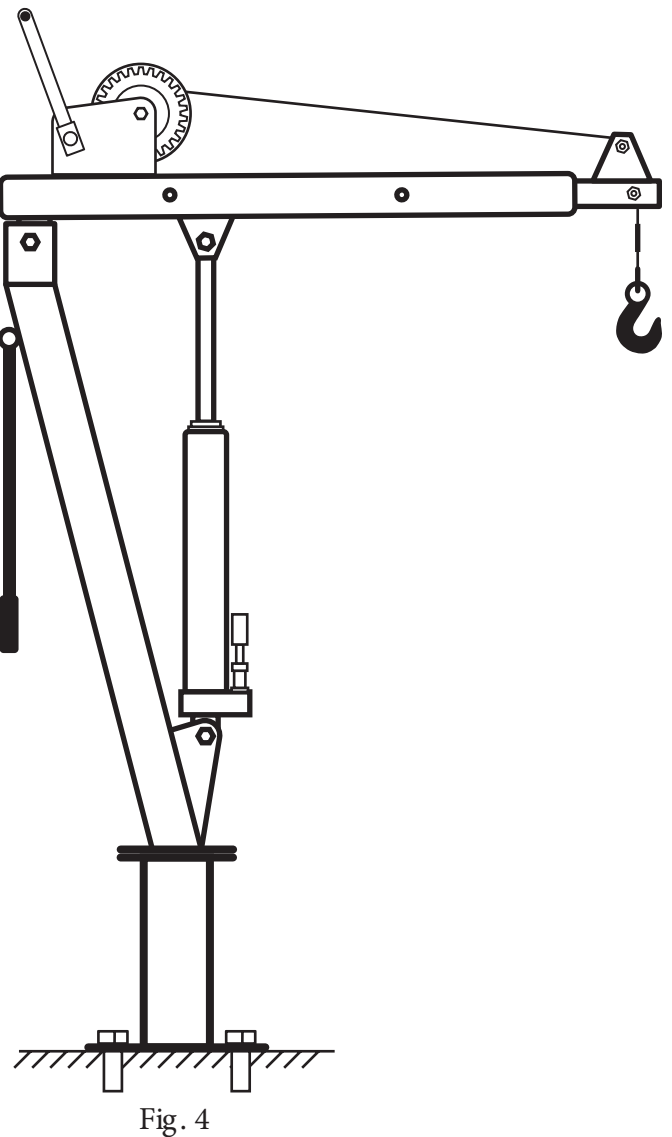
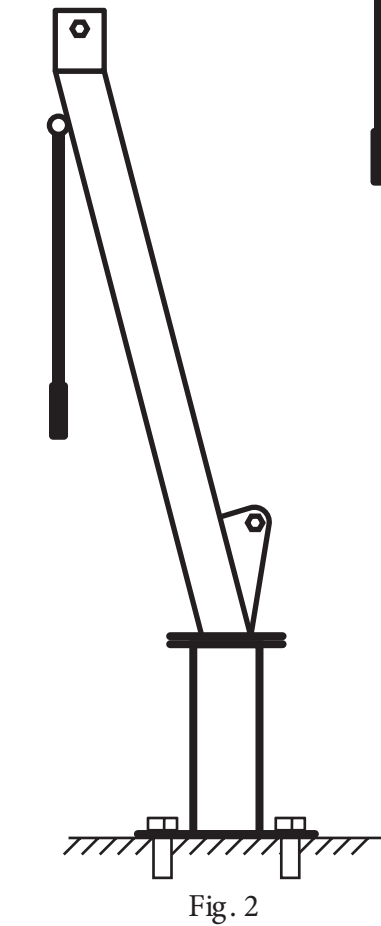
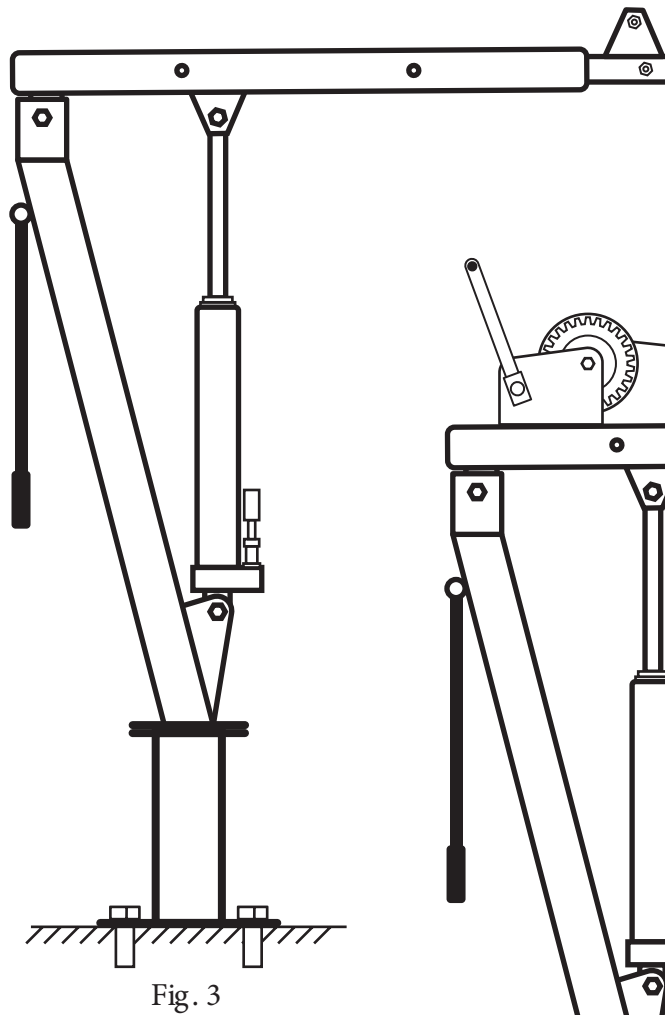
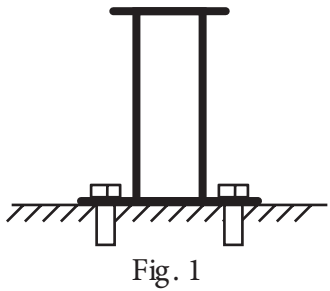
3.1 Unpacking

Cranes should be carefully inspected upon delivery for any damage that may have occurred during shipment or handling. Check the crane frame for: dents or cracks, wire rope for damaged or cuts, and load chain for nicks and gouges.

Check and document crane characteristics:

- a. Model number
- b. Rated capacity (tonnage)
- c. Lifting length of load chain (meter)

1. Select a flat horizontal surface to install the base (fig. 1). The base must be flat, level, and capable of withstanding any load lifted with the crane.
2. Install and secure the base to the chosen surface with 4 bolts.
3. Attach the mast to the base with bolts, as shown in fig. 2. After securing the mast, attach the boom to the mast, making sure not to overtighten it.
4. Attach the hydraulic jack to the mast and boom and raise the boom until it is parallel to the ground (fig. 2).
5. Attach the manual winch to the boom and feed the wire rope through the pulley, as shown in fig. 4.



4. OPERATION

4.1. Qualified Operator

Crane operators are required to read and fully understand the operation section of this manual, all warnings contained in the manual, and labels attached to the equipment. Safe and efficient operation of this crane requires an operator who displays caution and careful judgment. The operator must be fully alert, focused, and aware of his/her surroundings.

The operation of this equipment must be closely carried out under the good practices defined by international and national safety standards, such as ANSI, OSHAS and ASME. Training must be provided to the operator to ensure proper operation of equipment in compliance with the instructions provided by this equipment manufacturer and the provisions of ASME B30. Equipment operation must be conducted under the good practices defined by the applicable international and national safety standards, such as ANSI, OSHA, and ASME.

This crane must not be operated by individuals who:

- Cannot read, understand or speak language of security labels, ID Plate and User Manual of equipment.
- Does not meet legal age requirements.
- Has visual or hearing impairments
- Experiences mental, heart, or other health issues that could interfere with safe operation of equipment.
- Has not been fully trained on the use of the crane.
- Has not received and read User Manual for exact equipment.
- Has not demonstrated qualifications through a practical operation of the crane

4.2 Handling Precautions

ALWAYS:

- Keep crane in good condition and able to freely operate.
- Make smooth movements; avoid sudden changes of direction.
- Check the function of the crane without a load before operation.
- Make sure no one is beneath the load.

NEVER:

- Use pulleys or other accessories that are not specifically approved for the relevant crane model.
- Raise a load with the tip of the hook.
- Use the crane to pull or drag the load.
- Exceed the maximum capacity of the crane.

4.3 Recommended Operation



WARNING

Always carry out a complete inspection before starting the operation of the hoist.
See ASME B30.

Always let all personnel know that crane maneuvers are about to begin!
Do not allow Unauthorized Personnel to be in the lifting area.

Start with a complete inspection of the crane's structural integrity and mounting points, and make sure everything is in order and no damage is visible. This unit includes all the tools required to perform the job. Use the handle to rotate and position the crane boom directly over the load. With the handle (Fig. 2), fasten the release valve to stop any pressure loss. Start pumping to raise the arm, and use the chain provided and hook to lift the load using the hydraulic pump. You may also set a boom height and use the manual winch to raise or lower the load. To release the pressure of the hydraulic cylinder, slowly rotate the release valve.

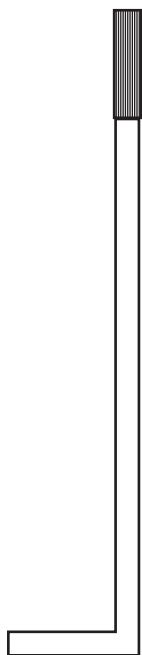


Fig. 1



Fig. 2



Fig. 3

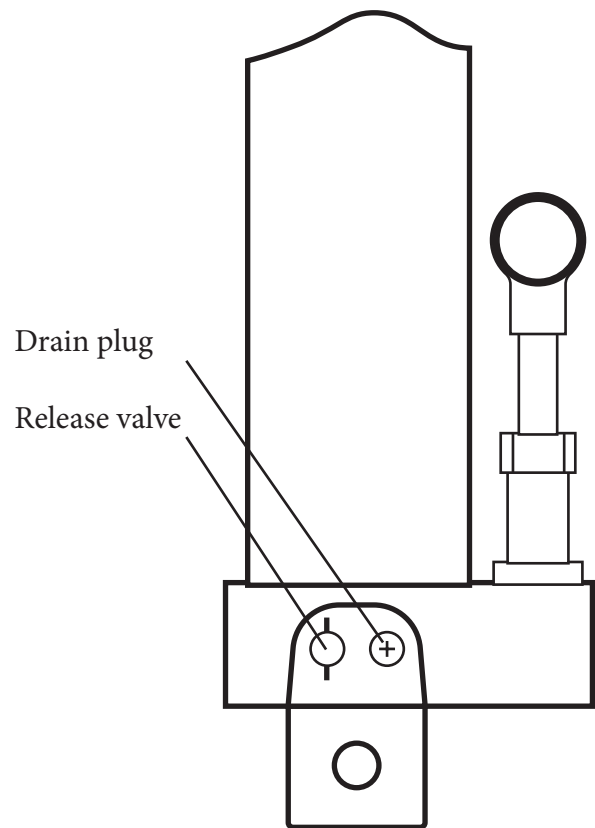


Fig. 4

Ayers USA Cranes
ayersusa.com

26111 US-90, Robertsdale,
AL 36567
251-929-1773
service@ayersusa.com

MIAMI, FL
PROWINCH LLC
www.prowinch.com

2901 NW 21st Terrace
Miami, FL 33142
United States
+1 (800) 971-8061

Fortis Alloy Mexico S.a. De C.v
Www.prowinch.mx

Fortis Alloy Mexico, S.A. de C.V. Vicente
Guerrero No. 403 Col. San Miguel,
Apodaca, Nuevo Leon,
Mexico C.P. 66649
+52 (81) 8244-1351

Guatemala

7a Avenida 1-22 Zona 13,
Pamplona, Ciudad de
Guatemala
+502 2381-8383
ever.mendez@contecindustrial.com

Lima, Peru

www.prowinch.pe

Urb. San Antonio de Carapongo.
Calle 1. Lurigancho - Lima
Phone: +51 935402797
info@prowinch.pe

Lima, Peru

www.prowinch.pe

Av Mansiche 1586, Trujillo,
La Libertad, Peru
51 44 618700
ventas@dezajacobs.com
www.dezajacobs.com

Prowinch Colombia Sas
www.prowinch.co

Cl. 163a #20-28,
Bogotá Colombia
(+57) 1 7034035

**Provedora Industrial
Y Tecnica, S.a. De C.v.**
Www.prointe.com.sv

Av. Alberto Masferrer Sur, Col.
Campestre No. 211
San Salvador, El Salvador
2264-1100

**Equipos De Izaje
Prowinch Chile Spa**
Www.prowinch.cl

Parque Riesco 3407, Recoleta,
Región Metropolitana, Chile
+56-2-26218989

