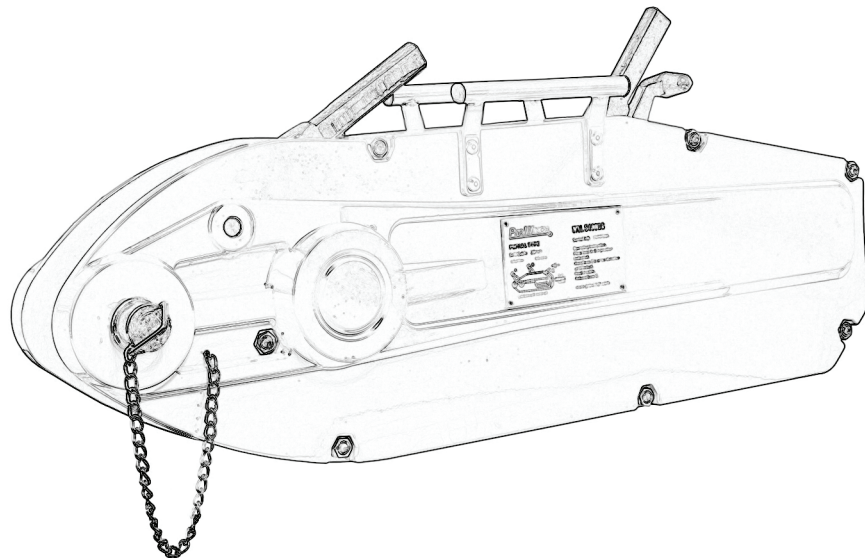




PWUZ Series

User's Manual / Manual de usuario
Safety Warnings / Advertencias de seguridad



This page intentionally left blank

PROWINCH® DISCLAIMER.....	3
1. SAFETY PRECAUTIONS.....	4
Puller Precautions.....	5
Before using the Equipment.....	5
During Operation.....	6
Inspection, Maintenance and Repairs.....	7
2. OPERATION.....	8
Qualified Operator.....	8
Handling Precautions.....	8
MAPS PROWINCH®	10

**PROPERTY REGISTRY N° 189487
ANY REPRODUCTION IS FORBIDDEN
PROPERTY OF PROWINCH® 2023 - V.02.23 [LM] ALL RIGHTS RESERVED
PROWINCH LLC COMPANY WITH QUALITY MANAGEMENT SYSTEM**

PROWINCH® DISCLAIMER

Prowinch® LLC declares that it has made all safety recommendations related to the purchased product to the customer. As a result, it does not assume any responsibility for any damages or losses that the client or third parties may suffer. These can be caused by or as a direct or indirect result of a breach or omission of instructions or safety warnings in the User Manual and Security Warnings provided with the unit purchased. Prowinch® LLC will not be liable for accidents and/or damages to persons and/or property resulting from the negligent use of the product. In no case does Prowinch® LLC assume any liability arising from using these voluntary recommendations and does not offer any guarantee concerning them. These recommendations do not take precedence over the current safety regulations of the plant. For purposes of enforcing the warranty of the product purchased, Prowinch® LLC, will only be liable for any damage when proven the user has followed each one of the warnings contained in the User Manual and Safety.

1. It is the sole responsibility of the Client / User to verify that the acquired equipment, products, and accessories comply with the characteristics, capacities, requirements, components, accessories, and other conditions for the use that the Client/user intends to give it.

2. It is also the sole responsibility of the Client / User to ensure that the equipment and products purchased are operated and maintained with adequate safety standards and by personnel properly trained in their use. The Client / User is also responsible for implementing all security measures necessary to prevent accidents or damages to people or property and for following the indications and warnings of the corresponding manual.

3. Any assistance provided by Prowinch® LLC in selecting the equipment, capacities, and characteristics required by the client is delivered free of charge and based on the information about the application, use, and requirements provided by the client. It is not the responsibility of Prowinch® LLC to verify the accuracy of the given information. It is the sole and exclusive responsibility of the client -or who will use the equipment and products acquired- to ensure that the specifications comply with the capabilities, characteristics, up-to-date maintenance, and everything necessary for a correct and safe operation about the intended use.

4. Prowinch® LLC recommends using winches with four brakes for personnel lifting. The use of winches with three brakes or less, or operating with safety standards less than required for personnel lifting is not recommended.

5. To guarantee the safety of the equipment's operators, it is necessary to conduct inspections and maintenance of the equipment according to the recommended frequency of its work cycle. It is mandatory to keep records and evidence, including written and photographic reports of: Maintenance, Start-up, Load Tests, Training, Certifications, Inspections, and Reports of failures and accidents.

6. The reports mentioned above must be emailed to registros@prowinch.com within the first seven calendar days after an event.

7. Compliance with timely implementation of mandatory activities described in points 6 and 7, in addition to all the activities mentioned in the corresponding guidelines, are the user's sole responsibility. Failure to comply with the preceding conditions releases Prowinch® LLC from any liability. The information contained in this manual may contain technical errors or inaccuracies. Prowinch® LLC is not responsible for errors, omissions, or incorrect information. This manual is subject to change without prior notice. Download the latest version available at www.prowinch.com. Always check www.prowinch.com for the latest information regarding this product.

Please check our warranty policies on our website www.prowinch.com/warranty.

**WARNING**

Hoists, Cranes, and other Lifting and material-movement-related equipment users must be knowledgeable about the safe and proper use of this equipment and be aware of their responsibilities as outlined in all applicable standards and regulations.

The ASME/ANSI B30 Standard contains provisions for the construction, installation, operation, inspection, testing, maintenance, and use of cranes and other lifting and material-movement-related equipment.

As OSHA's, ASME, and ANSI standards state, a qualified person shall perform the installation, setup, and operation of these units and equipment.

OSHA requires rated load tests for new and altered cranes. OSHA's standard at 29 CFR 1910.179(k) states:

Operational tests.

Before initial use, all new and altered cranes must be tested to ensure compliance with this section, including the following functions:

Hoisting and lowering.

Trolley travel.

Bridge travel.

Limit switches, locking, and safety devices.

The trip setting of hoist limit switches shall be determined by tests with an empty hook traveling at increasing speeds up to the maximum speed. The actuating mechanism of the limit switch must be located so that it will trip the switch, under all conditions, in sufficient time to prevent contact of the hook or hook block with any part of the trolley.

Rated load test. Test loads shall be at most 125 percent of the rated load unless otherwise recommended by the manufacturer. Once you have performed a rated load test, paragraph 1910.179(k)(2) requires that test reports be placed on file where readily available to appropriate personnel."

In order to ensure Safety and installation requirements Prowinch requires Load Tests to be performed prior to initial use for all Hoists, Winches and Cranes, as well as other related components. Not fulfilling this requirement is dangerous, could lead to equipment failure and will automatically void the warranty.

The B30 Standard is intended to:

(a) Prevent or minimize injury to workers, and otherwise provide for the protection of life, limb, and property by prescribing safety requirements.

(b) Provide direction to manufacturers, owners, employers, users, and others concerned with, or responsible for, its application.

1.1. Puller Precautions

**WARNING:**

This symbol indicates unsafe practices or situations which may cause damage to the property and even injuries to the personnel.

**DANGER:**

This symbol indicates a potentially dangerous situation which if not avoided may cause severe injuries or death

**DANGER**

All operators and other users who are near the wire rope or its load must wear required safety equipment: gloves, safety helmet / hard hat, safety shoes, and eye protection.

1.2. Before using the Equipment:

- Read and understand the instructions in this User Manual and labels associated with hoist before operating equipment.
- Wear appropriate clothing: Do not wear jewelry or loose clothes as they may attach to chain or hook.
- Wear leather gloves.
- Wear non-slip safety shoes, helmet, and eye protection.
- Perform full check of hoist. Check for damaged parts or unusual characteristics.
- Keep a safe distance: suggested distance is at least 1.5 times the length of hoist's chain. Broken or loose chain may cause injuries or death.
- Check hoist and chain are properly lubricated.
- Secure electric chain hoist to a suitable support.
- Visually inspect all electric chain hoists in addition to regular and maintenance inspections

1.3. During Operation:

- Inspect wire rope, hook, and slings before operating the puller. Frayed, kinked, or damaged wire rope must be replaced immediately. Damaged components must be replaced before operation. Protect parts from damage.
- Remove any element or obstacle that may interfere with the safe operation of the puller.
- Always be sure the anchor you select will withstand the load, and the strap will not slip.
- Always use supplied hook strap when spooling puller wire rope in or out during installation and operation.
- Always require operators and bystanders to be aware of the load.
- Take time to use appropriate rigging techniques for a pull.
- Do not touch the wire rope or hook while someone else operates the lever.
- Do not touch wire rope or hook while under tension or load
- Stand clear of wire rope, load, and keep others away while pulling.
- Do not attach the puller wire rope back onto itself. Use a choker chain or tree trunk protector on the anchor.
- Do not use a puller as a hoist or to suspend a load.
- Always be sure the anchor will withstand the load, use appropriate rigging, and take time to rig correctly.
- Do not use a puller to lift or move people.
- Always use proper lifting techniques or get lifting assistance while handling and installing.
- Do not operate equipment on which the safety labels are missing or illegible.
- Report any malfunction or irregular operation of the equipment.
- Do not operate a piece of equipment that has been modified without previous PROWINCH® approval.



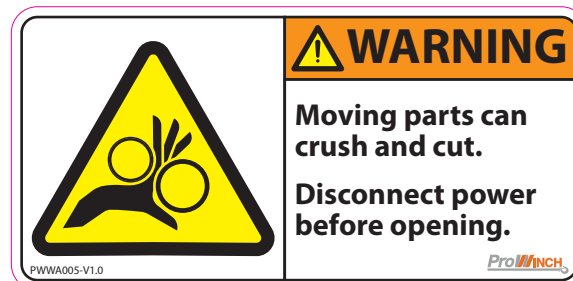
WARNING

Improper equipment operation can create a potentially hazardous situation that could result in minor or moderate injuries if not avoided. To avoid a potentially dangerous situation, review this manual to understand your puller and pulling operation fully.



DANGER

Never let puller wire rope slip through your hands.
Never use puller as a hoist or to suspend a load.



1.4. Inspection, Maintenance and Repairs:

- Only trained and authorized personnel may perform repairs on the equipment.
- Use only original ProWinch® parts. The use of any other part immediately voids the warranty.
- Failure to use only original ProWinch® parts may create dangerous conditions for the operator.

ALWAYS:

- Prevent others from being in the path of puller
- Regularly inspect and maintain equipment
- Check correct installation of Puller before using.
- Avoid contact with explosive gases or materials.

NEVER:

- Overload equipment
- Transport people or animals.
- Use puller if exposed to rain, snow, or electrical storm.
- Leave load suspended for extended period. This may cause component deformation or an accident.
- Leave loads suspended for an extended time. This may cause damage to components or accidents.
- Exceed the allowable operating temperatures stated in this User Manual (depending on the model).
- Expose equipment to water, sand, corrosive materials, or other substances which may damage the equipment

2. OPERATION

2.1. Qualified Operator

Lever Puller operators are required to read and fully understand the operation section of this manual, all warnings contained in the manual, and labels attached to the equipment.

Safe and efficient operation of this Puller requires an operator who displays caution and careful judgment. The operator must be fully alert, focused, and aware of his/her surroundings.

Training must be provided to the operator to ensure proper operation of equipment in compliance with the instructions provided by this equipment manufacturer and the provisions of ASME B30.

Equipment operation must be conducted under the good practices defined by the applicable international and national safety standards, such as ANSI, OSHA, and ASME.

This puller must not be operated by individuals who:

- Cannot read, understand or speak language of security labels, ID Plate and User Manual of equipment.
- Does not meet legal age requirements.
- Has visual or hearing impairments
- Experiences mental, heart, or other health issues that could interfere with safe operation of equipment.
- Has not been fully trained on the use of hoist.
- Has not received and read User Manual for exact equipment.
- Has not demonstrated qualifications through a practical operation of hoist

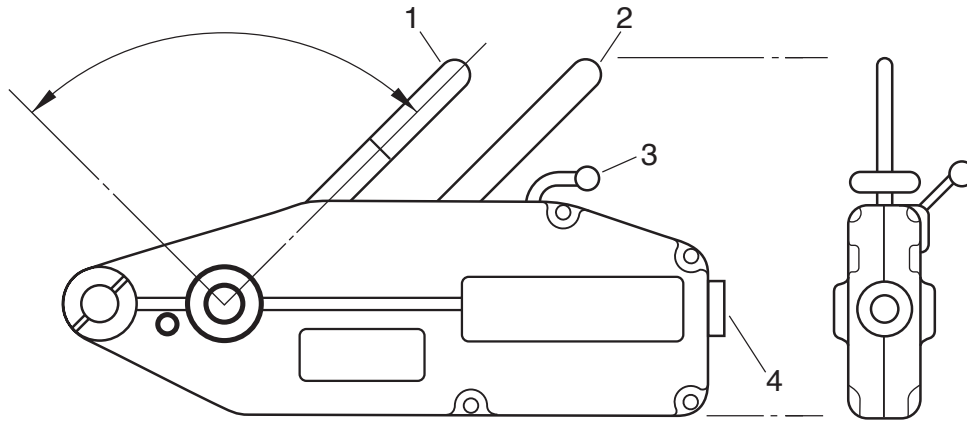
2.2 Handling Precautions

ALWAYS:

- Keep puller in good condition and able to freely operate.
- Make smooth movements; avoid sudden changes of direction.
- Check the function of the puller without a load before operation.
- Make sure no one is beneath the load.

NEVER:

- Use pulleys or other accessories that are not specifically approved for the puller model.
- Raise a load with the tip of the hook.
- Exceed the maximum capacity of the puller.



This unit comes with extra shear pins located in the handle. To release the jaws, hold reversing lever (2) and release lever (3) together with one hand, pull the lever (1) forward slightly at the same time pushing (2) and (3) forward until release lever (3) slips into the notched position in the casing. Insert the tapered end of the wire rope into the rope entry (4) and push through until it extends through the outlet. The wire rope end may have to be pushed up or down slightly to clear the hook or fitting at the forward end.

Pull the wire rope by hand to take up the slack to the load and ensure that the exit is not obstructed. Push the release lever (3) down, and it will spring back into its original position. The jaws are now closed on the wire rope. Place the telescopic handle on either (1) or (2), depending upon whether forward or reverse action is required, and crank the operating lever forward and backward evenly. Return the release lever to the "release" position when not in use.

Wire Rope:

The class of wire rope used is 6x19, wire core, and galvanized, including 6x21, 6x25, and 6x26. The wire rope used by our factory is 6x25. The end inserted into the unit should be tapered and burned for easy use.

Cranes Service

4022 East Greenway Road,
Suite 11-199, Phoenix, AZ 85032
(602) 321 9751
cranex.services@outlook.com

**MIAMI, FL
PROWINCH LLC
www.prowinch.com**

2901 NW 21st Terrace
Miami, FL 33142
United States
+1 (800) 971-8061

**Fortis Alloy Mexico S.a. De C.v
www.prowinch.mx**

Fortis Alloy Mexico, S.A. de C.V. Vicente
Guerrero No. 403 Col. San Miguel,
Apodaca, Nuevo Leon,
Mexico C.P. 66649
+52 (81) 8244-1351

**Ayers USA Cranes
ayersusa.com**

26111 US-90, Robertsdale,
AL 36567
251-929-1773
service@ayersusa.com

**Provedora Industrial
Y Tecnica, S.a. De C.v.
www.prointe.com.sv**

Av. Alberto Masferrer Sur, Col.
Campestre No. 211
San Salvador, El Salvador
2264-1100

Guatemala

7a Avenida 1-22 Zona 13,
Pamplona, Ciudad de
Guatemala
+502 2381-8383
ever.mendez@contecindustrial.com

DEZA JACOBS

Av Mansiche 1586, Trujillo,
La Libertad, Peru
51 44 618700
ventas@dezajacobs.com
www.dezajacobs.com

PROWINCH PERÚ

info@prowinch.pe
www.prowinch.pe

**Prowinch Colombia Sas
www.prowinch.co**

Calle 15 No 27-74 Local 8 Barrio
Paloquemao en Bogotá, 111411
Bogotá Colombia
(+57) 601 742 1374

Servicios Ivankovich GAR S.A.

Entrada principal del Colegio Vicente Lachner
100 Norte, 50 Oeste Cartago Costa Rica 7050
+50 625531415
juan@ivankovich.co.cr

**Equipos De Izaje
Prowinch Chile Spa
Www.prowinch.cl**

Parque Riesco 3407, Recoleta,
Región Metropolitana, Chile
+56-2-26218989

